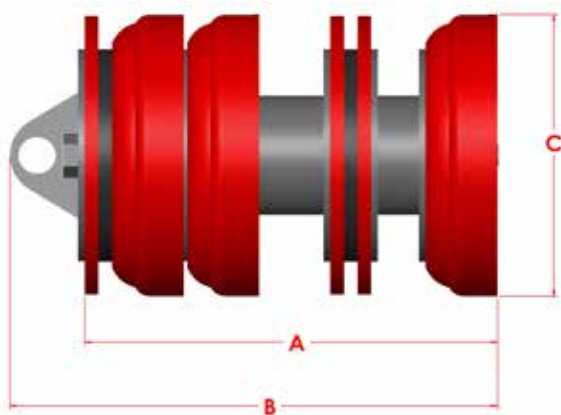


# SCRAPER CUP

## XF

6-14" (152-356mm)

The Apache XF pig comes standard with a combination of three sealing discs and three series C cups, providing a positive seal between dissimilar fluids and scraping compatibility. XF are typically used for longer distance batching operations and for light cleaning of pipelines. Cups and discs can be easily changed or adapted to different configurations as the application dictates.



Size	A	B	C	Weight	Part #
6"	10.250	12.500	6.375	18	70678606
8"	12.000	14.375	8.500	33	70678608
10"	15.125	18.000	10.625	58	70678610
12"	18.125	20.875	12.750	82	70678612
14"	20.750	23.500	13.875	92	70678614

### Options:

- Gauging plates of aluminum or steel, and either in slotted or standard styles.
- Magnets are available.